

Data Sheet

Universal100 Graphite EPS Cavity

Fully rigid insulated cavity closer provides a simple easy fit and highly effective method thermal break for closing cavities with dpc for around openings in masonry cavity and timber frame wall constructions

Application

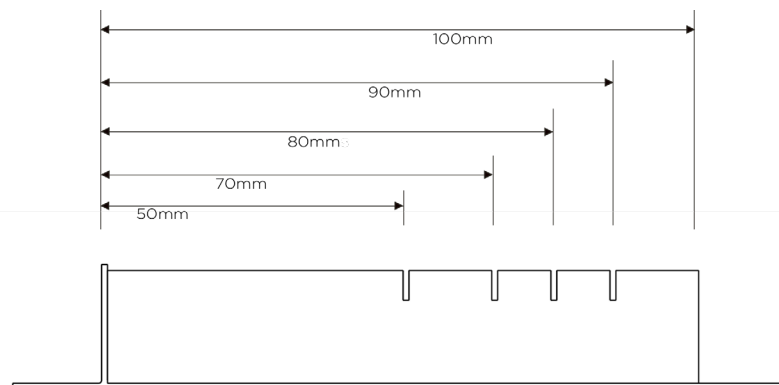
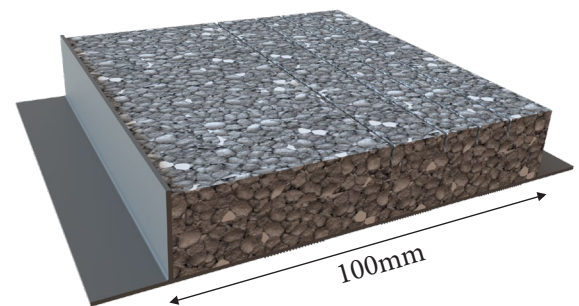
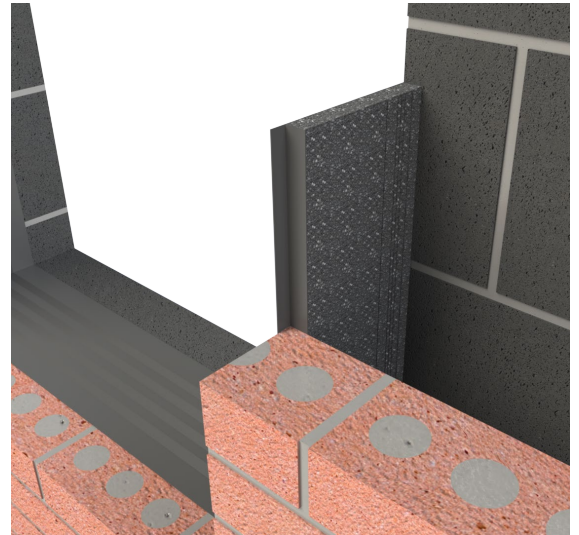
- Simple easy and highly effective method for closing cavities around openings
- Will provide thermal insulation and prevent 'cold bridging'
- Contributes to the reduction in damp and mould growth around openings
- Suitable for use in both new build and refurbishment
- Easy way to achieve Building Regulations compliance when closing cavities
- To satisfy NHBC standards
- Suitable for cavities 50mm to 100mm

Product Features & Benefits

- Easy to install with simple cut to size indicators
- Exceeds accredited construction details of minimum thermal resistance path of 0.45m² K/W
- Rigid profile extrusion will allow first and second fix installations
- Declared minimum thermal resistance path 0.95m²K/W
- Reduces risk of condensation, mould and moisture migration across the cavity
- Can be used on timber frame constructions
- Complies with Building Regulation Approved Documents C, L1 & L2

Materials

- Rigid profile extruded in grey uPVC
- Graphite (Grey EPS) expanded polystyrene insulation
- EPS Thermal Conductivity λ_D 0.031W/mK
- Insulation designed for use in building constructions to BS EN 13163
- Global warming potential <5
- Ozone depletion potential of zero
- Made from recycled materials



Installation Guide

- To comply with the accredited construction detail within building regulation the cavity closer requires a minimum overlap of 30mm between the window frame cavity closer
- For first fix, tack cut to size profiles to window frame that is to be build in, ensure profile for the vertical jambs overlaps the profile for horizontal cill
- Build around as work progresses with friction fit between insulation and masonry
- For second fix, install after the reveal has been constructed by friction fitting and fixing to the inner leaf using grab adhesive
- Before starting measure the opening of the window or door jamb and cill
- Cut profile to required lengths (jamb extends below cill to form water drip)
- Measure cavity opening and cut the insulation only to the corresponding width (do not cut the plastic uPVC profile)
- Press the insulation into the open cavity with friction fit and fix the plastic outer securely with grab sealer or clout nails (leaving a flush uPVC finish visible)
- Vertical Jointing - if required, sections can be jointed to minimise waste. All joints must be tightly butted 45degree downwards towards the outer leaf, this will stop potential water penetration
- Corner Jointing - When Jointing horizontal to vertical, trim both PVC flanges and allow the vertical to extend below the horizontal this stops water ingress
- Cutting should be carried out using a fine-toothed saw

Product Range

Description	Cavity width	Length	Pack
Universal100 Graphite EPS Cavity Closer	50-100mm	2.4m	10