

Data Sheet

Metal Weep Vent

A1 Non-Combustible Concealed Stainless Steel Wall Weep

Application

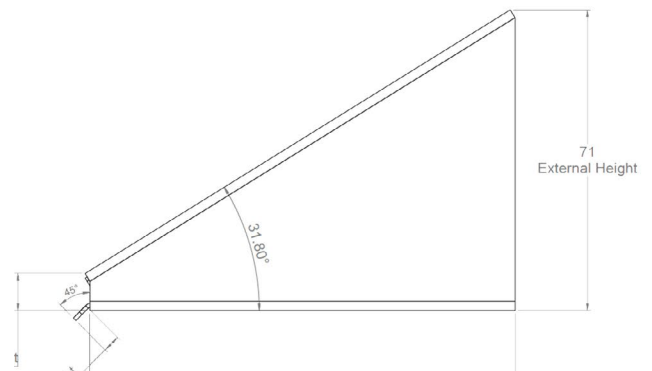
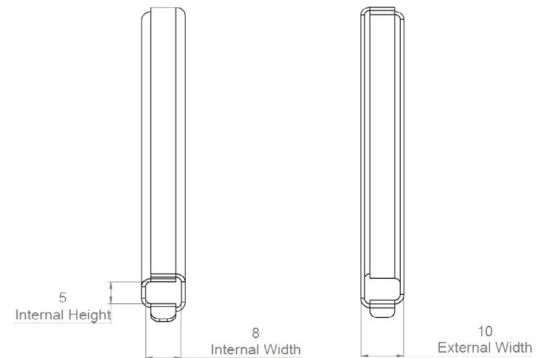
- Used in non-masonry cavity walls for high rise developments requiring non-combustible materials within the cavity wall.
- To form unobstructed cavity wall drainage path in masonry perpend joints
- Suitable for cavity drainage below dpc at ground level
- Ideal for draining abutment & perimeter cavity trays
- To give concealed weep outlets for above lintels, stop socks, brick supports & through wall ventilators

Product Feature & Benefits

- Great concealment with small low visibility outlet
- Will not melt or drip under extreme heat
- Straight unobstructed drainage path
- Full height perpend inlet to overcome extreme mortar build up within the cavity
- Complies with Building Regulations Approved Document C & B
- Designed to meet BS5250
- Overall size 100mm x 65mm x 10mm

Materials

- Stainless steel Mill finish
- Classified as A1, non-combustible, according to doc. 96/603/EC and BS EN 13501-1:2018
- Available with a variety of textured non-organic baked on colours



Technical Background

- Weep holes are drainage holes left in the exterior wall of a cavity wall construction to allow water that has entered the cavity to freely drain back outside. To reduce the visual impact, minimise the entry risk of large nest building insects and remove the risk of unwanted pointing to a fully open perpendicular joint, it has been an industry norm to install proprietary wall weep ducts. The metal wall weep has been designed to form an unobstructed drainage path with the great level of concealment.
- Cavity wall weeps are to be installed at regular linear intervals in a masonry wall to allow drainage above ground level and fitted within dpc cavity trays in areas where a cavity has been bridged.
- Metal wall weeps are suitable for use in high-rise buildings with a storey 18m or more above ground level to Regulation 7(2) and Building Regulations Approved Document B and for use in buildings with a storey 11m or more above ground level to meet Building (Scotland) technical handbook 2019: domestic and non-domestic, 2.7.

Installation Guide

- Metal wall weeps are fitted at 900mm centres within perimeter cavity tray applications over abutments and brick support cavity trays and other continuous dpc cavity trays.
- Metal wall weeps are fitted at 450mm centres at openings; including lintels, through wall ventilation, meter box's with a minimum of two per opening to meet British Standards and NHBC requirements.
- To be fitted with-in perpendicular joints with the small low visibility outlet to the outer face of a masonry wall and the 70mm inlet to cavity side.
- It is important to maintain a clear mortar free passageway during installation

Product Range

Description	Height	Width	Length
Metal wall weep- A1 non combustible	70mm	10mm	100mm

Colours available: Terracotta, Buff, Black, White, Anthracite & Rust Brown.
Specialist colours on request.