

## Data Sheet

## Refurbishment Rafter Tray

Easy solution to maintain airflow into the roof space.

### Application

- Single rafter trays are an integral part of a roof ventilation system to maintain a clear free airspace into the roof void, forming the second tier of ventilation.
- Retro fitted from inside of the roof
- Required when loft insulation is increased
- To maintain eaves and eaves to ridge cross flow ventilation
- To maintain 10,000mm<sup>2</sup>/m & 25,000mm<sup>2</sup>/m airflow
- To reduce the risk of cold bridging by enabling insulation to be laid into eaves

### Product Features & Benefits

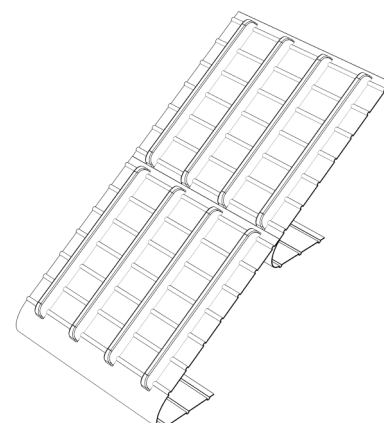
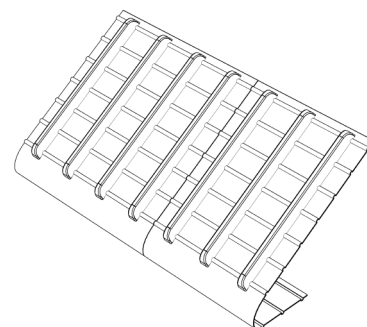
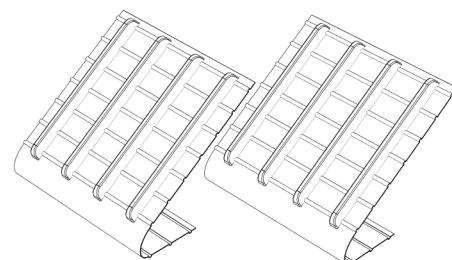
- Supplied in single tray sizes to fit between rafters
- Universal rafter centre fitting capability
- Each unit has 12,500mm<sup>2</sup> of actual airflow
- Easy to lap trays to accommodate deeper insulation
- Complies with Building Regulation Approved document C2
- Meets requirements of BS5250:2021 Management of moisture in buildings
- Light and durable
- Quick and easy to install with no special tools required.

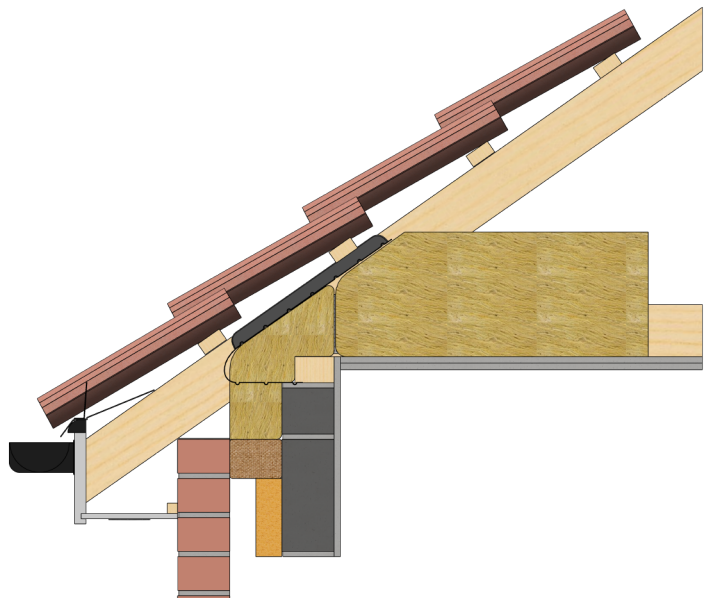
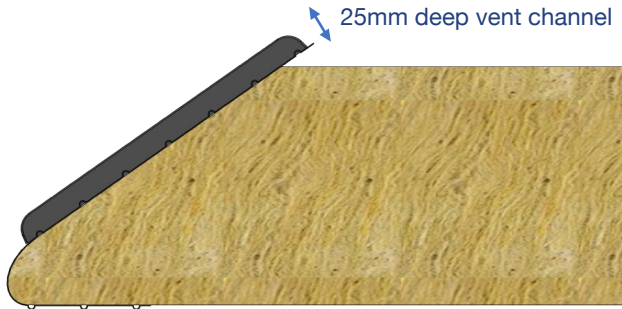
### Materials

- Manufactured in Black PVC.

### Installation Guide

- The panel is designed to be fitted from inside the roofspace and to suit most rafter spacings.
- The refurbishment rafter trays are supplied flat and require folding when fitting.
- For rafters at centres below 450mm or where the ceiling joist is not in line with the rafter, it may be necessary to trim the panel to suit. The panel may be trimmed from one or both sides using a sharp knife or scissors.
- For rafters at 450mm centres the panel should fit without modification.
- For rafter centres between 450mm and 600mm it is necessary to extend the panel width. This is achieved by overlapping two refurbishment rafter trays and then trimming to fit between rafters.
- Lay the insulation material into the back of the panel ensuring a snug fit and try to maintain an overlap between the cavity wall insulation and the loft insulation to reduce cold bridging.
- For deeper fill insulation it may be required to double layer the refurbishment rafter trays and fold into the loft insulation layers to secure in place.





**Product Range**

**Description\***

Refurbishment rafter tray URT

Ventilation	Airflow	Spacing width	Depth	Pack Qty
25mm	25,000mm <sup>2</sup>	397mm	350mm	25's

**Refurbishment rafter tray URT**

**Size:**  
 Length 350mm  
 Width 397mm  
 Depth of vent channel 25mm

